

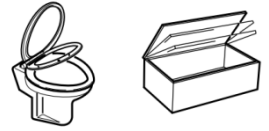
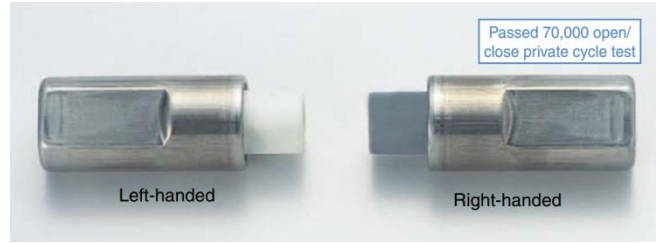
## GUDH Torque Damper

### Features

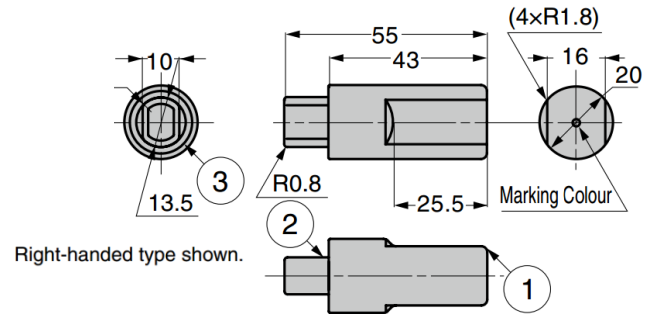
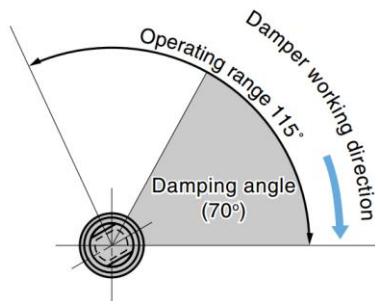
- Patented compact design technology
- Can be used as a single unit
- Keeps lids / doors from slamming shut, and avoid noise
- Colour marking indicator on the body to differentiate between different torque options
- Ideal for applications requiring soft-closing flap
- Standard and progressive models available

### Notes

- When mounting on sheet metal, ensure the edge of the plate is rounded to prevent damage to the damper
- Do not apply and vertical load on the shaft



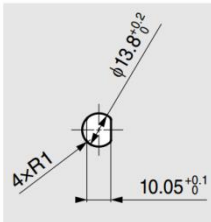
### Damper Operating Angle



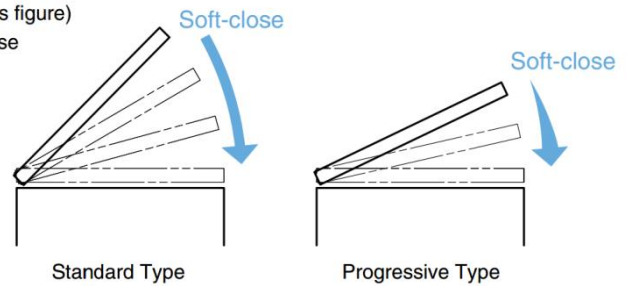
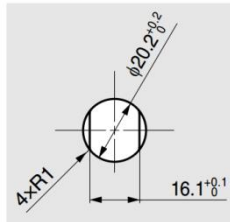
Right-handed: damper works when the shaft is turned clockwise (this figure)

Left-handed: damper works when the shaft is turned counterclockwise (symmetrical to this figure)

Shaft side hole size



Body side hole size



No.	Part Name	Material	Colour
①	Body	Stainless Steel	-
②	Shaft	PBT	Left-handed: Natural, Right-handed: Grey
③	Cover Ring	Black	-

### Standard Type

Part No.	Type	Damper Working Direction	Marking Colour	Torque (per piece)	
GUDH-AMS-G	Left-handed	Counter-clockwise	Blue	1.5 ~ 2.5 N.m	15.3 ~ 25.5 kgf.cm
GUDH-BMS-G	Right-handed	Clockwise			
GUDH-AHS-G	Left-handed	Counter-clockwise	Red	2.5 ~ 3.5 N.m	25.5 ~ 35.7 kgf.cm
GUDH-BHS-G	Right-handed	Clockwise			
GUDH-AGS-G	Left-handed	Counter-clockwise	Yellow	3.0 ~ 4.0 N.m	30.6 ~ 40.8 kgf.cm
GUDH-BGS-G	Right-handed	Clockwise			

### Progressive Type

Part No.	Type	Damper Working Direction	Marking Colour	Torque (per piece)	
GUDH-AMP-G	Left-handed	Counter-clockwise	Green	1.5 ~ 1.8 N.m	15.3 ~ 18.4 kgf.cm
GUDH-BMP-G	Right-handed	Clockwise			
GUDH-AHP-G	Left-handed	Counter-clockwise	Black	1.8 ~ 3.5 N.m	18.4 ~ 35.7 kgf.cm
GUDH-BHP-G	Right-handed	Clockwise			